

1. Basic terminology of networking

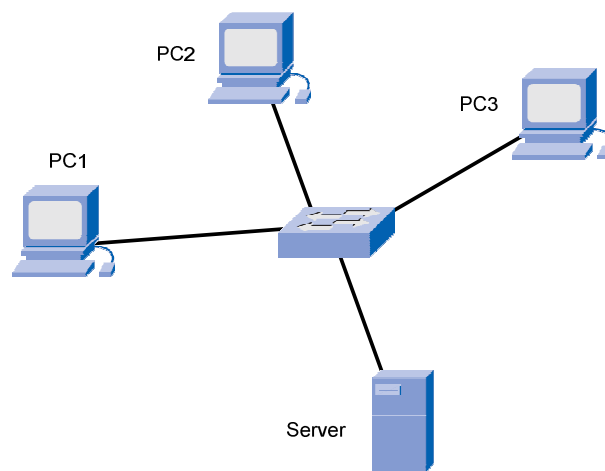
1.1 LAN

Definition:

LAN = Local Area Network

A LAN is a group of end devices that can communicate over a “local” network and that are under the control of a common administration.

Example:



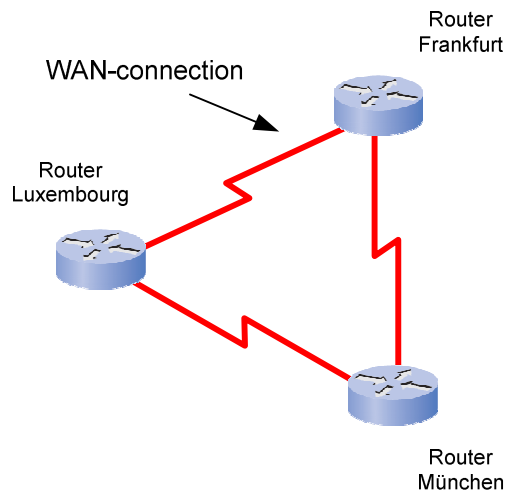
1.2 WAN

Definition:

WAN = Wide Area Network

A WAN is a network of communication lines built to overcome long distances.

Example:

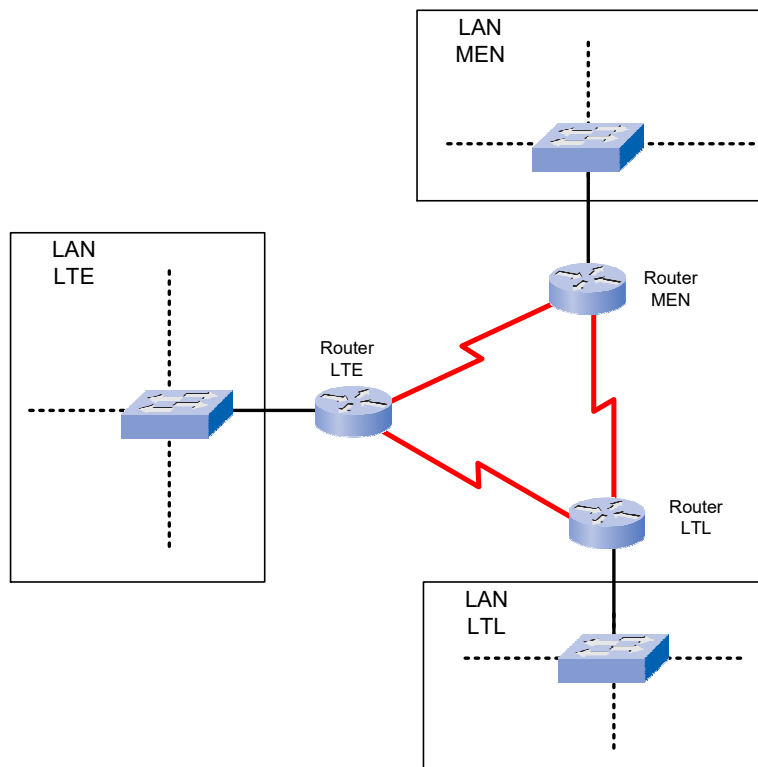


1.3 Internetwork

Definition:

An *Internetwork* is a collection of two or more LANs connected by WAN-lines.

Example:



1.4 Internet

Definition:

The *Internet* is a public Internetwork.

1.5 Client

Definition:

A *client* is a device requesting an information.

1.6 Server

Definition:

A *server* is a device responding to the request of a client.

1.7 Host

Definition:

A *host* is a device connected to a network.